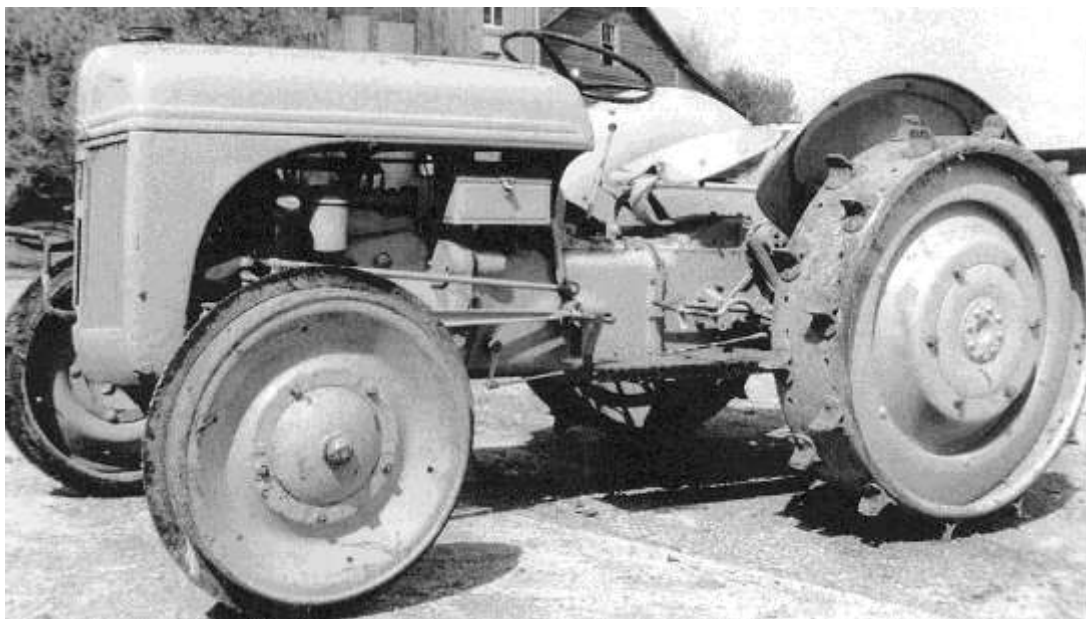


Ford 2N Warhorse

Originally on steel wheels with no battery, starter, generator or rubber tires.

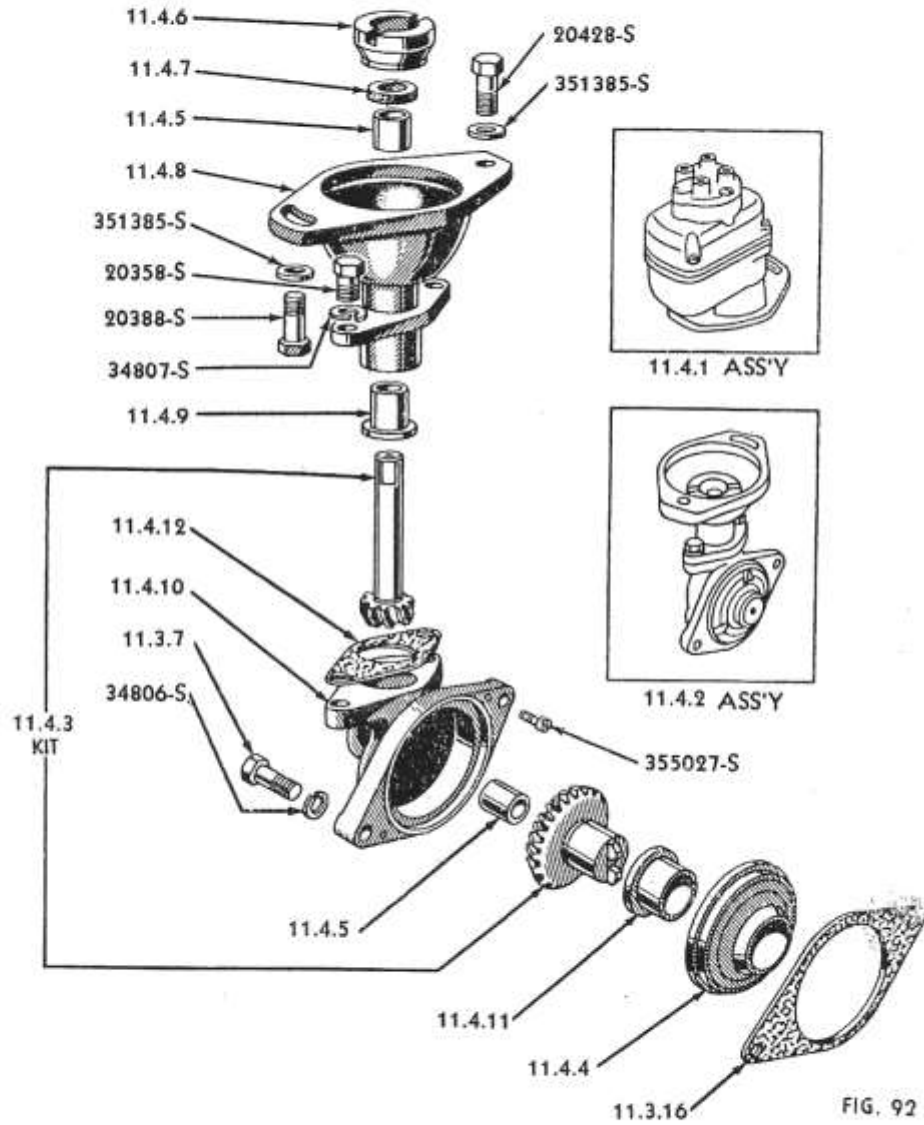


The amp gauge was blocked off, and had a knock-out plate in the dash.



It also had an angle drive and a magneto instead of a distributor.

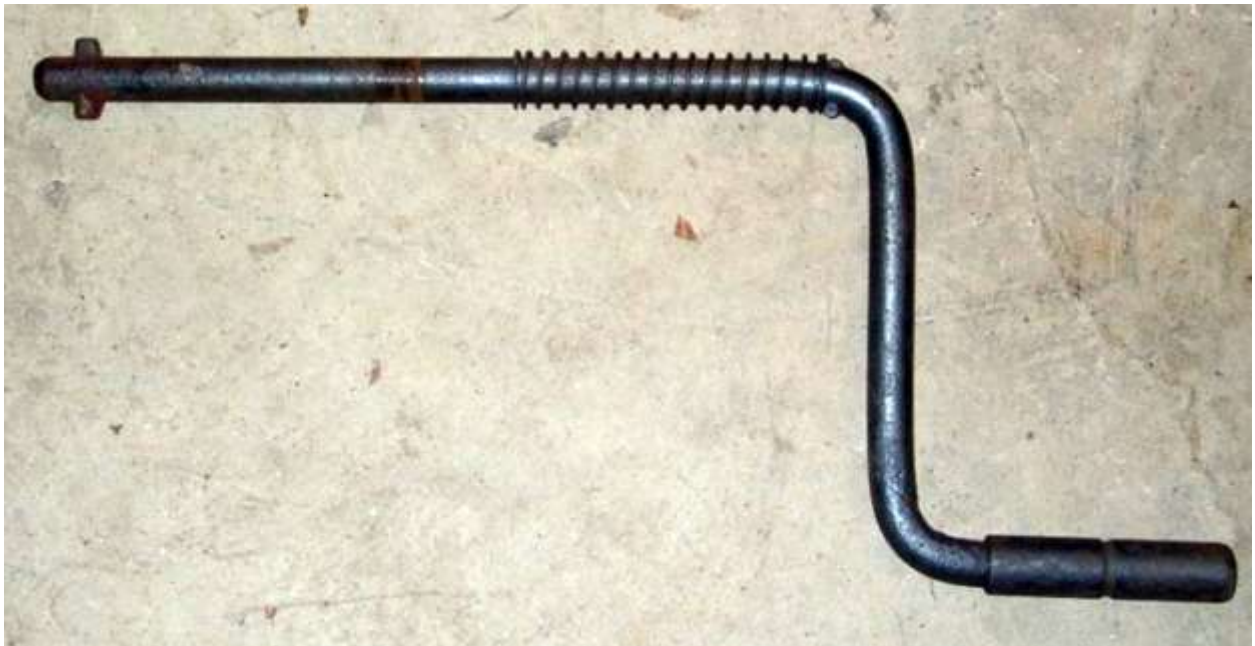




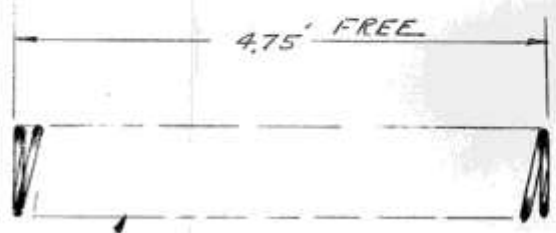
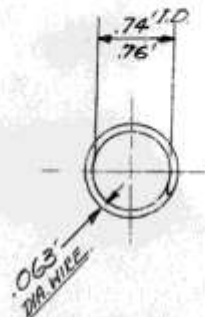
MAGNETO AND DRIVE ASSEMBLY

Group numbers only shown on illustration. Order by Part Numbers shown in list of parts.

It had a hand crank with a spring on the crank to hold it disengaged.



M.	4.7	SEP 16 198	C



19 COILS 17 FREE END CLOSED & GROUND
L.H. SPIRAL

INFO. SHEET	D
M.	
H.	
CO.	
CLERK	
DRG.	
DEL.	
FRG.	
GER.	
HDL.	
SPR.	
TRM.	
ARG.	
DEH.	
CON.	
MEK.	
SWA.	
JAP.	
AUST.	
SWED.	

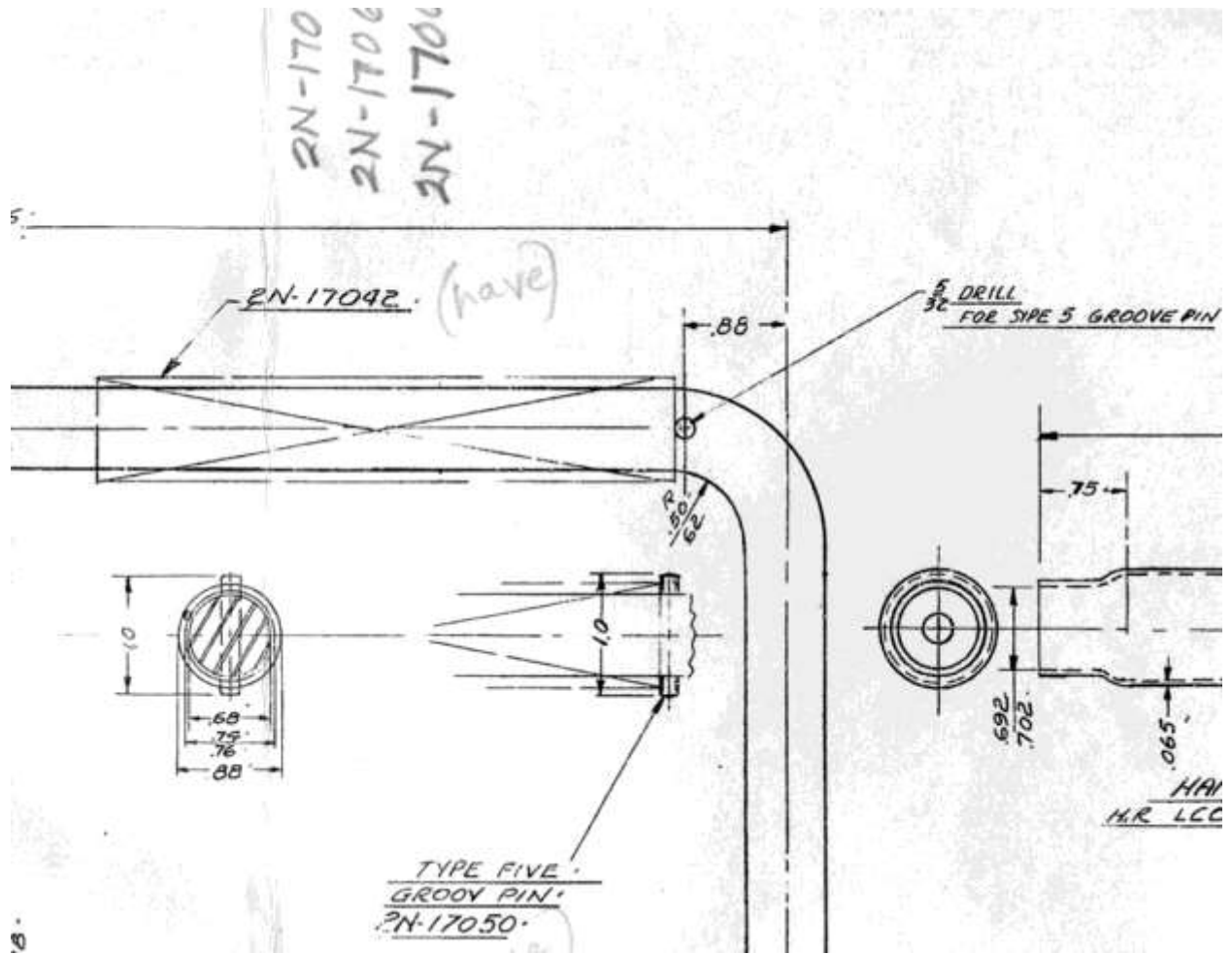
2N-17042

SPRING CRANK
OIL TEMPERED STEEL WIRE
TYPE 5 (.063 DIA.)

AFTER COILING HEAT TO
600°F FOR 30 MIN.

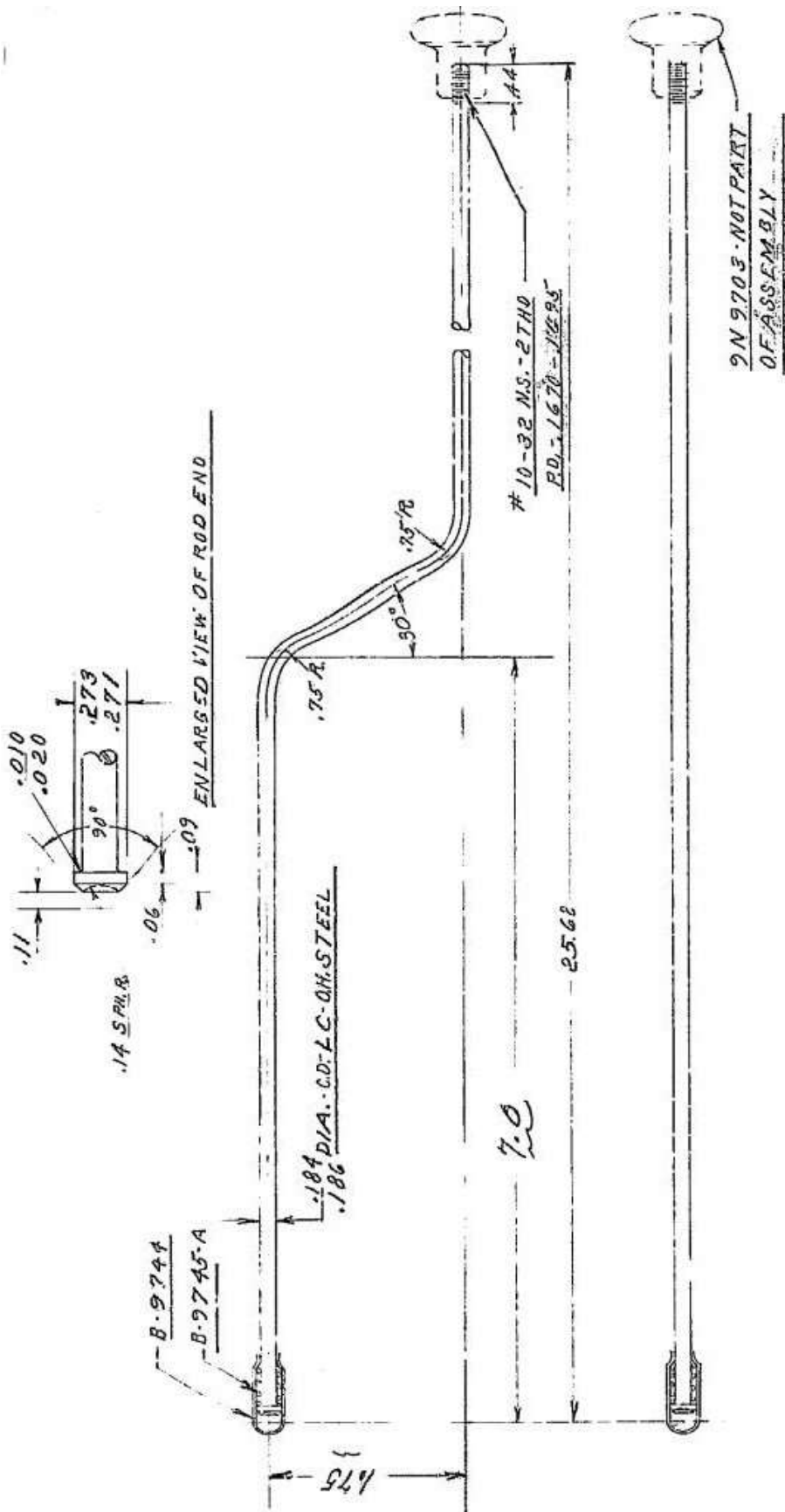
DESIGN	SCALE	DRAWN BY	CHK.	O.K.	FORM MOTOR	REPRODUCTION
	FULL	SPURLIN			2N-17042	

2-170-808



The choke was routed to the front through the right dog leg.





Marvel-Schebler carb with necessary double-throw choke shaft for operation from grill or dash



Starter Cover plate

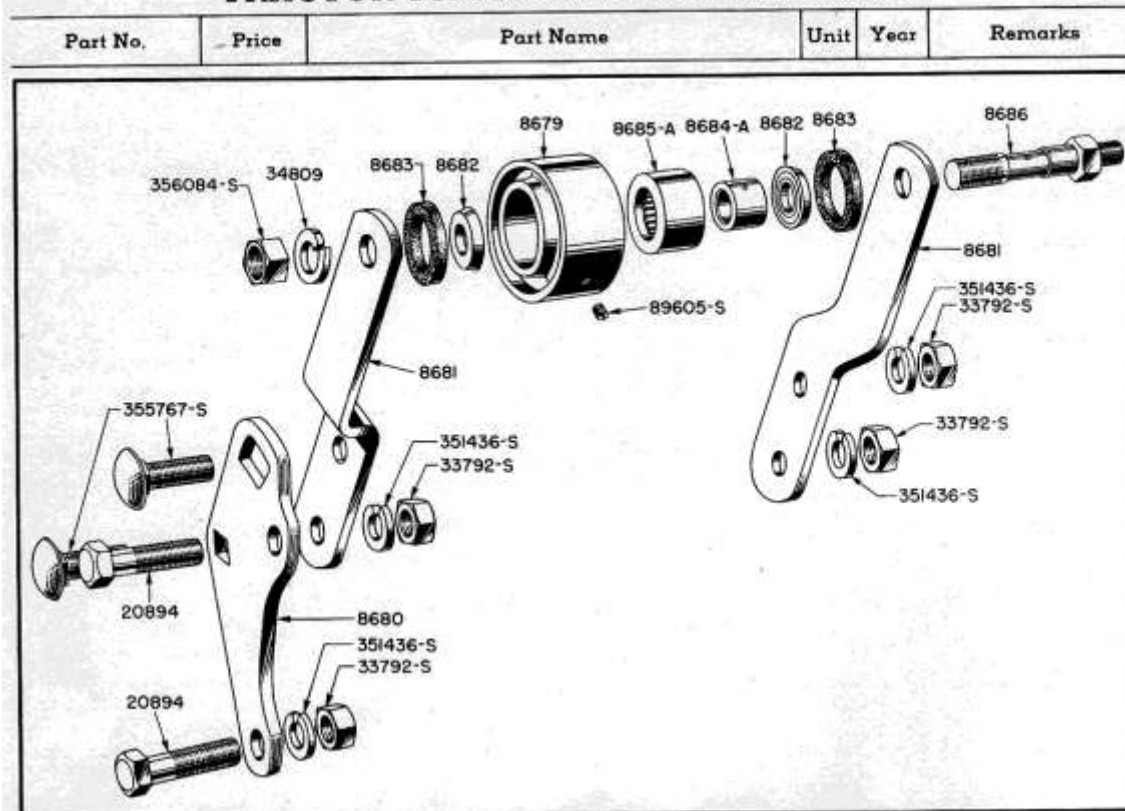


Idler in place of generator



The war model 2N had an idler pulley to tension the shorter fan belt used because there was no generator installed.

TRACTOR PARTS PRICE SUPPLEMENT



IDLER PULLEY ASSEMBLY (CONT'D) AND MISCELLANEOUS PARTS

Part No.	Price	Part Name	Unit	Year	Remarks
33792-S7		Nut (Hex.)-Idler Arm to Idler Bracket .	2	39-43	
2N-8681	*.24	Arm-Fan Belt Idler	2	39-43	Tractor with Magneto only
2N-8682	*.25	Spacer-Fan Belt Idler	2	39-43	Tractor with Magneto only
2N-8683	*.05	Seal-Idler Dust	2	39-43	Tractor with Magneto only
2N-8684-A	*.60	Race-Idler Inner	1	39-43	Tractor with Magneto only
2N-8685-A	*1.35	Race-Idler Outer	1	39-43	Tractor with Magneto only
2N-8686	*.67	Bolt-Idler Pulley	1	39-43	Tractor with Magneto only
34809-S7-8		Washer (Lock)-Idler Pulley through Bolt	1	39-43	
356084-S7-8		Nut (Hex.)-Idler Pulley through Bolt ..	1	39-43	
2N-9510	8.80	Carburetor Assy.	1	39-43	Replaces 9N-9510-A
20356-S7		Bolt (Hex. Hd.)-Manifold to Carburetor.	2	39-43	
34806-S7-8		Washer (Lock)-Manifold to Carburetor Bolt	2	39-43	
9N-9447	.02	Gasket-Carburetor to Manifold	1	39-43	
2N-9546	.45	Choke Lever & Shaft Assy.	1	39-43	
2N-9700-A	.13	Rod Assy.-Choke Control	1	39-43	Tractor with Magneto only
2N-9700-B	.13	Rod Assy.-Choke Control	1	39-43	Tractor with Generator without Starter
2N-9718	.05	Clip-Choke Rod-Front	1	39-43	Tractor with Magneto only

*Not Subject to Regular Discount



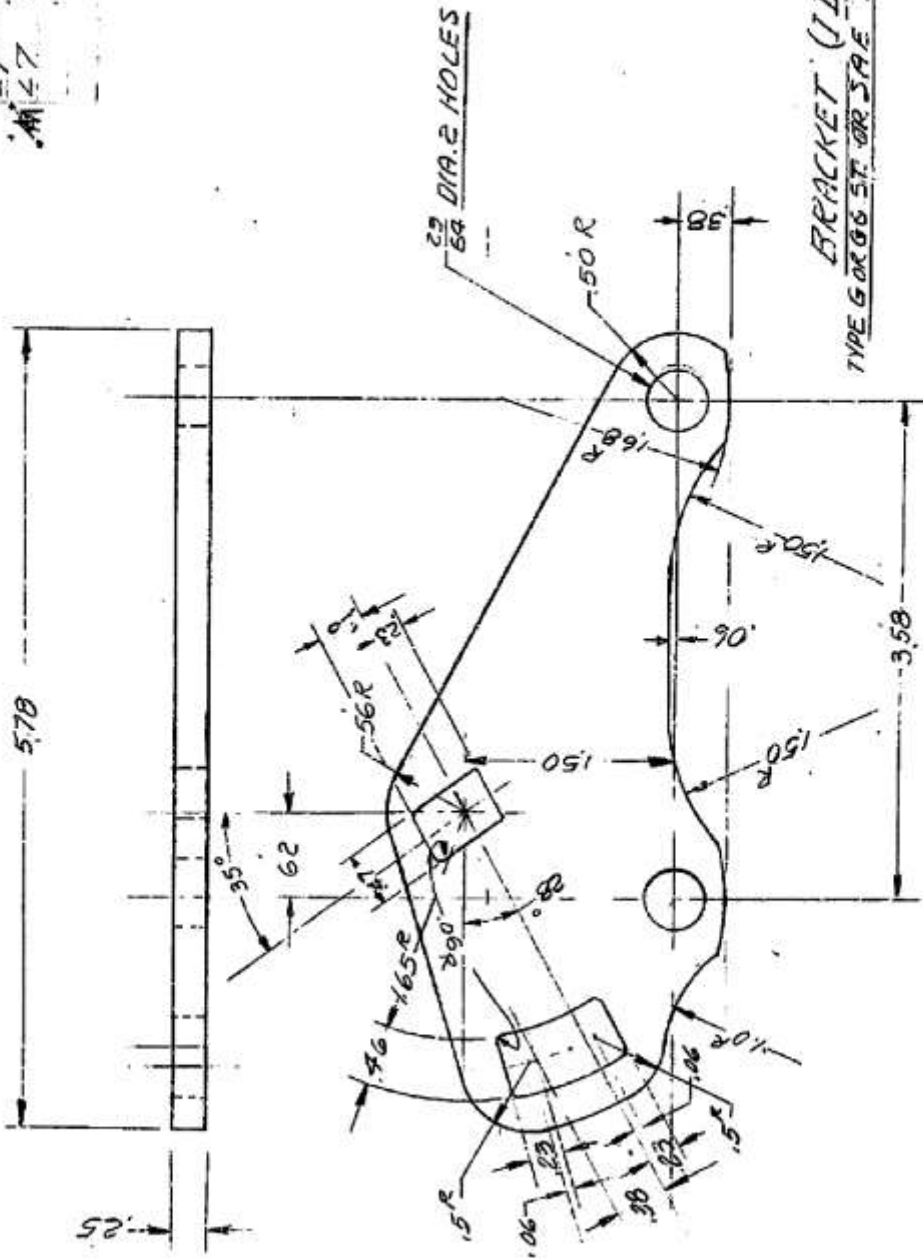
2N Magneto
Belt Tensioner
Bracket
p/n 2N8680

Belt Tensioner
bracket from combine

2N-8680

ALL RIGHTS RESERVED. NO PARTS MAY BE REPRODUCED OR TRANSMITTED IN ANY FORM OR BY ANY MEANS, ELECTRONIC OR MECHANICAL, WITHOUT PERMISSION IN WRITING FROM THE PUBLISHER.

APPROVED	5-23-42
DESIGNED	5-23-42
BY	REVISED
17	9-8-42
17	5/12/42
17	2/3-6-45



BRACKET (IDLER)
 TYPE G OR G6 ST. OR 3A.E. 1020 P.O.

2N-8680

DESIGN	SCALE	DRAWN BY	DATE
FULL		SAUBELIN	

Scale: 1/2" = 1"

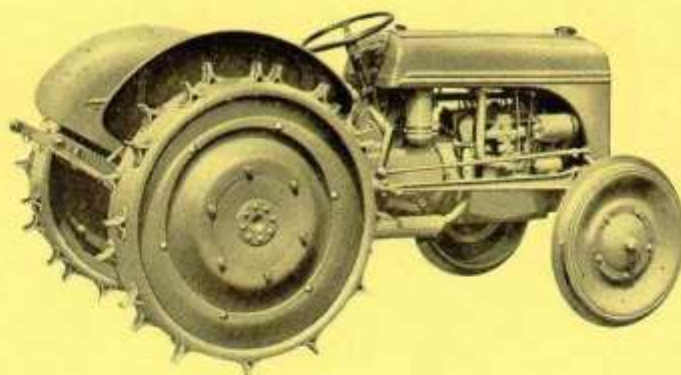


Truflex 3340 (5L340) also fits.

Gates green stripe TR22344 or Truflex 3340 (5L340) belts fit the 2N Warhorse tractors with no generator.

SPECIAL INSTRUCTIONS

FOR THE STEEL WHEELED TRACTOR



RUBBER TIRES, STARTERS, GENERATORS, AND BATTERIES

★ *Have Gone to War* ★

Because of the need for these vital materials, *Patriotic Farmers* will not question the reason for these missing conveniences, but they will want to know the difference.

These "plus" features, which have been omitted to save critical materials for the Armed Forces, can be easily replaced after the war as the design of the tractor has not been changed.

While the rubber-tired and steel-wheeled tractors are essentially the same, the following precautions for *Safe* and *Economical Operation* should be carefully observed.

STARTING THE TRACTOR

Be sure the *Gearshift Lever is in neutral* before turning the starting crank. A slight pull on the starting crank may start the engine. If the tractor is in gear, serious injury may result.

Learn the location of the magneto "cutoff" so that you can easily reach it with your left hand, to stop the engine, in case you forget to put the gearshift lever in neutral. These are simple common-sense precautions that may save serious injury.

STOPPING THE TRACTOR

After the tractor has been brought to a stop, put the gearshift lever in a neutral position. Get off the tractor and *press* the magneto "cutoff" lever to stop the engine. *Under no circumstances should the engine be stopped by pulling the carburetor choke rod.* Such choking produces dilution of the engine oil, thus rapidly lowering its lubrication qualities. This practice will result in unnecessary and rapid wear of all engine parts.

STEEL WHEELS



STEEL WHEELS

The steel wheels are of rugged construction and will give excellent traction for all practical farm work. At higher speeds, they do not cushion the tractor against shocks and vibrations as well as rubber tires, but if the following rules are observed, they will be highly satisfactory.

- (1) Drive the tractor with the utmost caution on hard roads.
- (2) When operating where there are obstructions in the ground, drive the tractor more slowly than usual.
- (3) It is well to emphasize, especially in wartime, that the tractor mechanism, and also fuel, can be saved by driving the tractor at moderate speeds.
- (4) Engage the clutch gently and avoid jerking the tractor.
- (5) The steering wheel should not be turned unless the tractor is moving.
- (6) *Wheel and lug bolts must be kept tight.* Failure to exercise this precaution may result in serious damage to the wheel.

KEEP BOLTS AND NUTS TIGHT

The bolts, nuts, studs; all electrical, fuel, and water connections are subjected to vibrations, which have a tendency to loosen them.

Be sure to check these connections every two days for the first week when the tractor is new or just overhauled. Then, recheck every two weeks thereafter until they have taken a "final set." Long life and excellent wear of the working parts are assured if they are held in perfect alinement by securely tightening all connections at regular intervals.

LUBRICATION

Lubrication correctly applied is one of the most economical operations in the care of your tractor. Low operating costs are usually a direct reflection of proper lubrication. Follow instructions given in the lubrication section of the Tractor Instruction Book. If you have questions, consult your Dealer.

THE MAGNETO

The magneto has an impulse coupling used to facilitate starting the engine and at the same time to automatically retard the ignition spark while cranking. Through this device the rotor of the magneto is held back while the engine is turned over to its firing position. At this instant the rotor is snapped forward at high speed, thereby producing an intense hot spark, automatically retarded to prevent backfiring. A characteristic snap as the impulse coupling releases usually indicates that it is functioning satisfac-

torily. The impulse feature disengages as soon as the engine has picked up speed, after which coupling serves as a conventional member.

Figure at right shows the location of the "cutoff" ground switch. Pressing this small lever down against the main body of the magneto cuts off the ignition immediately.

A few simple precautions should be observed in caring for the magneto and the wires attached to it.

- (1) *Keep all connections clean and tight.*
- (2) *Do not oil the magneto.*
- (3) Call your Dealer in case of trouble. He has arrangements to have your magneto serviced by factory-trained men.



"CUTOFF" GROUND SWITCH

MAGNETO TEST

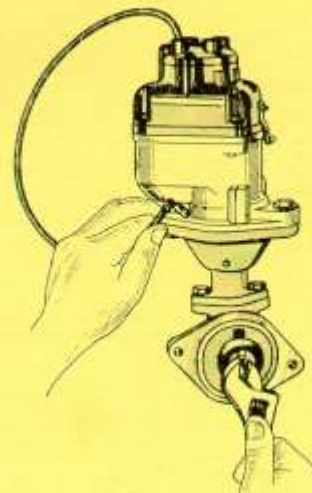
A simple test will show if the magneto is functioning.

Remove number 1 spark plug wire and hold the end of the wire about $\frac{1}{8}$ " away from the engine head. Crank the engine. If you obtain a bright hot spark, along with a characteristic snap of the impulse coupling, you may be assured that the magneto is working properly.

If you do not get the above reactions, remove the magneto and magneto drive as an assembly and take it to your Dealer. Shown here is this assembly removed.

After the magneto has been repaired it will be necessary to "time" the assembly before installing on the engine. Proceed as follows:

- (1) Crank the engine with No. 1 spark plug removed, until the piston on No. 1 cylinder comes up on the *compression stroke*. This will be indicated by air being forced past your thumb on the spark plug hole.
- (2) Bring piston to approximately top dead center.
- (3) Insert spark plug wire in No. 1 opening of distributor cap.
- (4) Turn the magneto coupling clockwise with a wrench, as shown, until a spark occurs.
- (5) Now turn the coupling counterclockwise (left) until the "driving tongues" of the coupling match the slots in the end of the camshaft. Install magneto with drive assembly and securely tighten the two studs.

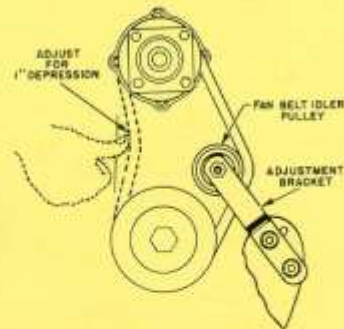


FAN-BELT IDLER PULLEY

The fan-belt idler pulley is mounted on the left side of the engine. An adjustment bracket is provided to maintain the proper tension of the fan belt. Too loose a fan belt will cause wear through slippage. This may cause engine to overheat.

The tension on the belt is correct when it can be depressed approximately 1 inch midway between the crankshaft pulley and the fan pulley, as shown in the illustration at right.

Adjustment is made by loosening the two bolts on the adjustment bracket, adjusting to proper tension, and retightening.

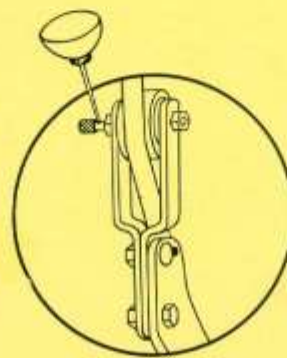


CORRECT FAN-BELT TENSION



IDLER PULLEY LUBRICATION

An oil cup and cover is provided on the idler pulley. It is located in the position shown at left and in the line drawing at right. The idler pulley should be lubricated with 5 drops of engine oil every 50 working hours.

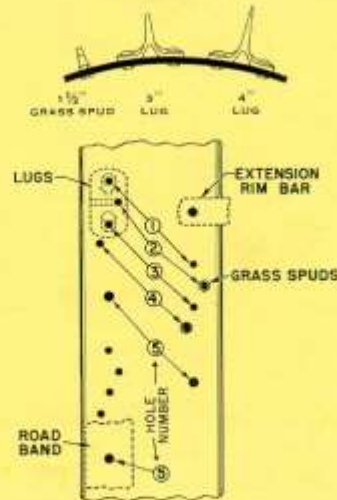


STEEL WHEEL EQUIPMENT

The standard rear steel wheels are 40" diameter, 10" rims. Bolt holes are provided for lugs, grass spuds, road bands, and extension rims.

The illustration at right shows the position of bolt holes and their use. A series of five holes are repeated around the rim. Lugs are attached using holes No. 1 and No. 3. Grass spuds using holes No. 2 and No. 4. Road bands and extension rim straps using the larger holes, No. 5.

Steel Wheel Specifications		
Rear Wheel.....	40" diameter.....	10" width rim, furnished with twenty-four 3" or 4" lugs.
Front Wheel.....	25" diameter.....	5" width rim, 1 1/4" skid band



HARRY FERGUSON, Inc.
DEARBORN, MICHIGAN

STEEL WHEELS

Ford Tractors with Ferguson System are now available on steel wheels. These Tractors have been designed to give outstanding performance and economical service on this new wheel equipment.



White line indicates extra size and weight of other equipment of equal working capacity.

100,000 tons of metal saved for armament *by this tractor!*

Since the Ford Tractor with Ferguson System was introduced, 2½ years ago, more than 100,000 units have been put to work on farms.

Each Ford Tractor, with an average complement of Ferguson Implements, represents a clear saving of more than a ton of needed metal, as compared with any other farm equipment of equal working capacity. 100,000 tons of steel saved for war production!

That is because the exclusive Ferguson System makes built-in extra weight unnecessary, either for traction or to get and hold soil penetration.

In the Ferguson System, tractor and

implement are joined by linkage to operate as a single unit, under finger tip hydraulic control. It builds up traction—pulling power—just as needed, without extra built-in weight, and does it automatically.

No manual strength is needed, to raise and lower the implement, or control its depth in the soil, or to change from one implement to another. Saves time—saves operating cost.

The Ford Tractor with Ferguson System, with 2-plow capacity, is as easy to run as a modern automobile—can be efficiently and safely operated by women, elderly people, or young boys

and girls. It gets farm work done on time—even when you are short-handed—and keeps farm production costs down.

Any Ford Tractor dealer will gladly prove this for you, in a demonstration on your own farm, under your farming conditions.



© Ford Motor Co.

100,000 TONS IS STEEL ENOUGH TO BUILD

4 average battleships
or 48 average destroyers
or 5,500 medium tanks
or 23,000 scout cars

or 400,000 anti-aircraft guns
with mounts
or more than 20,000,000
automatic rifles

Delivery subject to Government regulation of critical materials.

Ferguson-Sherman Mfg. Corp.,
Dearborn, Mich., Dept. 18

() Please send me more information
() Please arrange for a demonstration

Name _____

Address _____

War Emergency Repair Parts Plan

WITH the cooperation of all Ford Tractor Owners this plan will keep all Tractors in steady operation. It will enable your dealer to get a larger quota of Service Supplies for his locality. You will eventually need all the parts listed — there will be no waste.



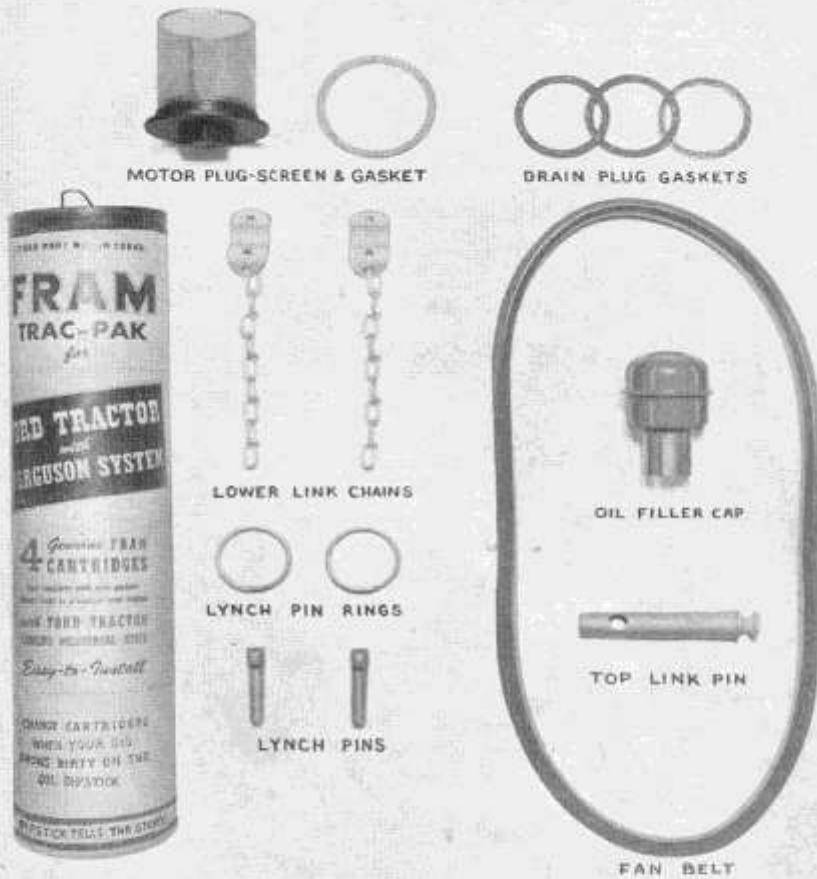
*In cooperation with 150 dealers and
8000 Ford Tractor owners in
Wisconsin and upper Michigan.*

T. W. MEIKLEJOHN, Inc.
DISTRIBUTOR
Fond du Lac, Wis.

DEALER _____

Emergency Engine Parts and Draw Bar Pins

PACKAGE NO. 1 \$8.29



PLOW PARTS - Package No. 7

			Price Each	Total
6	No. 350691	Bolts	\$.05	\$.30
2	No. 350715	Set Screw	.08	.16
2	No. 20890	Bolts	.07	.14
8	No. 33792	Nuts	.03	.24
2	AO5500	Cover, Coulter Hub	.20	.40
1	AO5505	Coulter Hub		1.50
1	AO5503	Coulter Hub Bushing		.50
1	AO1505	Jointer Arm Chain		.25
2	AO178	Jointer Blade	1.65	3.30
2	AO6621	Furrow Wheel Plate	.25	.50
1	AO6622	Furrow Wheel Pin, Upper		.15
1	AO6623	Furrow Wheel Pin, Lower		.20
2	AO140B	Mouldboard Extension	.75	1.50
				Total \$9.14

Vital Ignition Parts and Spark Plug Set

PACKAGE NO. 2 \$7.09



IGNITION POINTS



DISTRIBUTOR CAP



RESISTOR



CONDENSOR



ROTOR



COIL GASKET



CAP GASKET



BASE GASKET



SPARK PLUGS

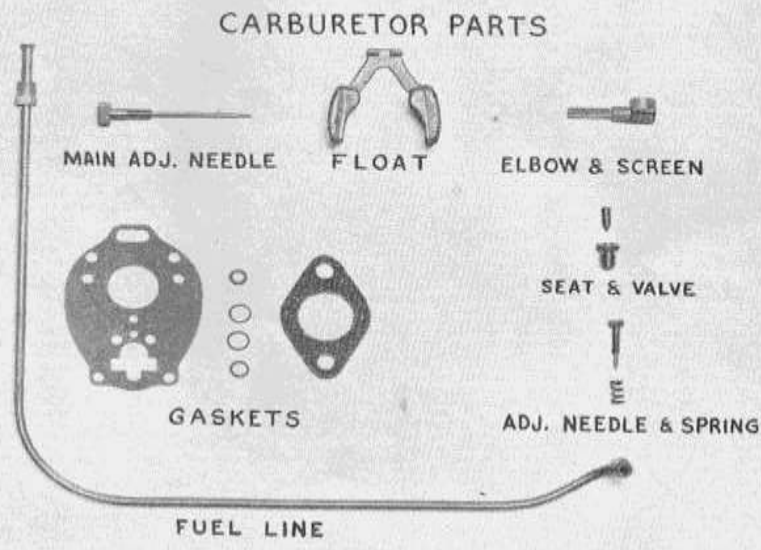
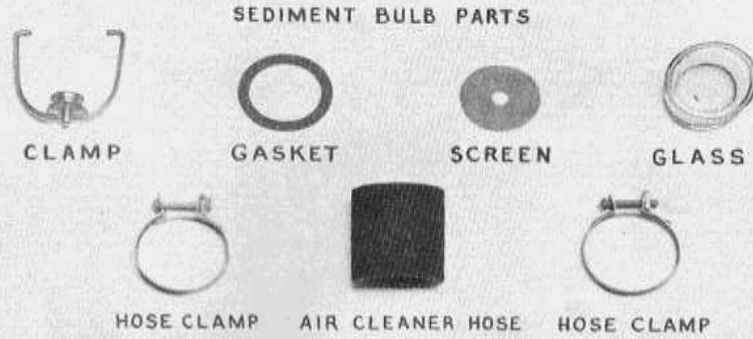
SKO Cultivator Parts - Package No. 8

		Price Each	Total	
12	No. 355663	Frame Bolts -----	\$.07	\$.84
12	No. 356084	Frame Bolts - Nuts -----	.02	.24
2	No. 21173	Frame Bolts -----	.13	.26
12	No. 20894	Frame Bolts -----	.07	.84
6	No. 21188	Frame Bolts -----	.17	1.02
1	No. 20872	Frame Bolts -----		.05
2	No. 20878	Frame Bolts -----	.05	.10
6	No. 33806	5/8" Nuts -----	.05	.30
6	No. 351500	5/8" Lock Washer -----	.03	.18
12	No. 355641	Shovel Bolts, short -----	.06	.72
12	No. 355646	Shovel Bolts, long -----	.07	.84
12	No. 351436	7/16" Lock Washer -----	.02	.24
36	No. 33792	7/16" Nuts -----	.03	1.08
3	No. 350690	7/16" Bolts for Fin -----	.05	.15
1	SKO9550	Spacer on Fin Stem -----		.10
4	SKO9544	Sweep Adapters -----	.08	.32
6	SKO9552	Shovel Spacer -----	.05	.30

Total \$7.58

Carburetor and Air Cleaner Hose Replacements

PACKAGE NO. 3 \$5.00



ACCESSORIES

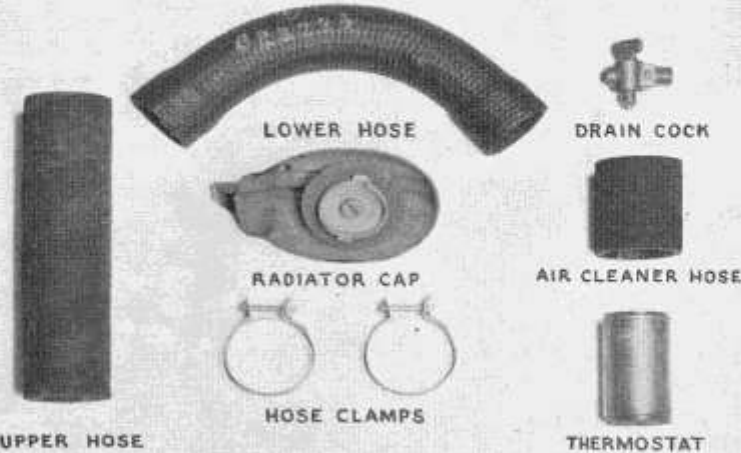
1	CLO8900	Air Stack Assembly	\$ 3.25
1	9N17052	Tire Pump	4.25
1	9N18438	Light Kit	18.11
1	9N17049	Storm Cover	12.00
1	2N17125	Grease Gun	4.25
1	Pr.	Step Plates	6.00

NEW AND OLD STYLE RADIATOR REPLACEMENTS.

Give Motor No. and date of purchase of your Tractor.
 Old style before March 1, 1944 — New style after March 1, 1944

PACKAGE NO. 4 \$3.41

OLD STYLE RADIATOR



PACKAGE NO. 5 \$4.30

NEW STYLE RADIATOR



TOOLS

1	O1A17021	Monkey Wrench	\$.55
1	9N17014	Plow Wrench75
1	O1A17017B	Spark Plug Wrench45
1	B17025A	Pliers30
1	B17020	Screw Driver20
1	O1A17015	Open End Wrench20
1	O1A17016	Open End Wrench20
1	9N10655A	Battery	\$8.75
1	2N17040	Crank	1.94
1	9N9600D	Air Cleaner	7.00
1	2N576	Top Link	5.20
1	5 gal.	Trac-Tr-Lube	8.50

HEAD AND TAIL LIGHT REPAIRS

PACKAGE NO. 6 \$4.44



TAIL LAMP DOOR



TAIL LAMP WHITE LENS



RED LENS



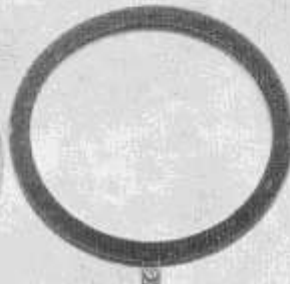
TAIL LIGHT BULB



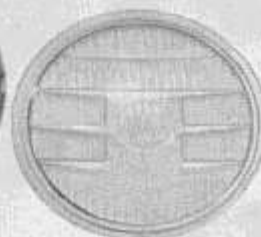
HEAD LAMP BULBS



HEAD LAMP LENS



HEAD LAMP DOOR



HEAD LAMP LENS

+ ORDER FORM +

This will authorize you to ship the packages checked:

- | | |
|--|---|
| <input type="checkbox"/> Package No. 1 | <input type="checkbox"/> Package No. 6 |
| <input type="checkbox"/> Package No. 2 | <input type="checkbox"/> Plow Parts, Package No. 7 |
| <input type="checkbox"/> Package No. 3 | <input type="checkbox"/> SKO Cultivator Parts, Package No. 8 |
| <input type="checkbox"/> Package No. 4 | <input type="checkbox"/> Accessories. Itemize and see dealer. |
| <input type="checkbox"/> Package No. 5 | <input type="checkbox"/> Tools. Itemize and see dealer. |

SIGNED _____

CITY _____

STATE _____ Box No. _____

Be sure to check items you desire and leave this Order Form with your dealer.



